

# SHADOWSPEC OASIS™

COMMERCIAL MARKET UMBRELLA



## OWNERS MANUAL

Installation, Operation, Care and Warranty

[www.shadowspec.com](http://www.shadowspec.com)

Hello,

For a stress-free installation we suggest you read this manual in full before assembling your new Shadowspec Umbrella.

Help extend the life of your umbrella investment by reading and following these care instructions on a regular basis.

Thank you for your purchase, we appreciate it.

Enjoy the shade, courtesy of Shadowspec.



<b>Disclaimer</b>	<b>2</b>
<b>Warranty Information</b>	<b>4</b>
<b>Product Registration and Warranty Information</b>	<b>4</b>
<b>Umbrella Care &amp; Maintenance</b>	<b>5</b>
<b>Fabric Cleaning</b>	<b>5</b>
<b>Stage 1 - Key Dimensions of Your Shadowspec Oasis™</b>	<b>6</b>
Shadowspec Oasis™ Part Naming	<b>7</b>
Umbrella Location	<b>7</b>
Shadowspec Oasis™ Opening Arc Diagrams	<b>8</b>
<b>Stage 2 - Installation of Your Umbrella Mount</b>	
Option 1 - Spigot	<b>12</b>
1A - Flat Plate Base	<b>14</b>
1B - Spigot on Concrete	<b>16</b>
1C - Spigot on Deck	<b>18</b>
Option 2 - Concrete Base	<b>20</b>
Mounting Option - Specsheets & Sizes	<b>22</b>
<b>Stage 3 - Assembling your Shadowspec Oasis™</b>	<b>24</b>
Assembling Your Umbrella	<b>26</b>
<b>Stage 4 - Operating your Shadowspec Oasis™</b>	<b>28</b>
Operating your Shadowspec Oasis™ 2.0m   7' & 2.7m   9	<b>28</b>
Operating your Shadowspec Oasis™ 3.0m   10' & 4.0m   13'	<b>30</b>



# Warranty Information

## THE SHADOWSPEC WARRANTY:

Shadowspec guarantees that Shadowspec Oasis Umbrellas, that are installed in accordance with our guidelines, will be free of defects in materials and workmanship for the period of time as set out and specified below:

### RESIDENTIAL WARRANTY



10 YEAR Fabric Warranty



6 YEAR Frame Warranty

### COMMERCIAL WARRANTY



3 YEAR Fabric Warranty



3 YEAR Frame Warranty

The obligation of Shadowspec under this warranty is limited to faulty manufacturing, defective materials and mechanical failure when your umbrella has been used and cared for appropriately from the date of invoice. If an umbrella is repaired under warranty, the warranty period will not be extended.

Shadowspec shall, at its sole discretion, determine whether repair or replacement is appropriate. This warranty does not cover the following:

- Damage caused by an accident, negligence, storm, wind, accumulation of water or snow, or caused by an act of God, incorrect installation, not following Shadowspec's Care and Maintenance instructions, incorrect use or natural ageing and fading.
- Damage caused by exposure to hazardous atmospheric situations due to industry or a high salt level.
- Small colour variations between the fabric and the colour samples and between the components and profiles, which are caused by the manufacturing process.
- Damage by a third party.
- Repair by a third party or labour costs.

Your Shadowspec Oasis Umbrella has been designed to handle all conditions in which people are comfortable relaxing outdoors, and more. Our recommendation is that when the weather outside is uncomfortable to sit down and relax in, that you lower your umbrellas. Specifically, our umbrellas have been tested to wind levels at and above Beaufort 5. This is subject to your umbrella being sufficiently anchored. To avoid possible wind damage, we recommend that your umbrella be closed in wind levels above this point (40kmh/25mph) to protect your investment and extend the useful life of your umbrella.

This warranty doesn't protect against your umbrella Fabric Canopy becoming unserviceable due to strength loss from normal usage and exposure conditions. The foregoing sets out the extent of this warranty.

Shadowspec shall not otherwise be liable or responsible for any direct, indirect, incidental or consequential damage, costs or losses of any kind arising out of or in connection with your umbrella or components or for any delay by Shadowspec or the component manufacturer in undertaking repairs or replacement under this warranty.

Except as expressly provided herein, all other warranties, representations, conditions, undertakings, rights, duties or liabilities, whether arising by implication of law or otherwise, are hereby expressly excluded.

If you need to enquire about a warranty claim, please either contact Shadowspec direct or the sales agent you purchased your Shadowspec Oasis from.

## PRODUCT REGISTRATION

It's important that your product is looked after and that starts with registration to validate your warranty. Please visit our website at the link below to register your product.

[www.shadowspec.com/register](http://www.shadowspec.com/register)





## Looking After your Shadowspec Umbrella

The following guidelines are designed to help you to extend the life of your Shadowspec Oasis™ Umbrella.

1. When your umbrella is not in use you should retract it - this will extend the life of your umbrella. Shadowspec Oasis™ umbrellas are designed to be easy to open and close.
2. When you close your umbrella you should use the provided canopy strap to secure the canopy arms.

## Care and Maintenance - In Detail

Regular care and maintenance of your umbrella is essential. The following points will assist in keeping it looking smart and clean while also ensuring its ongoing performance and reliability.

- To extend the life of your umbrella as long as possible, we recommend purchasing a Pro Cover for your umbrella and covering your umbrella with it whenever it is not in use.
- Close and cover your umbrella in adverse conditions.
- Take care when opening or closing your umbrella - always check for obstacles such as; trees, ladders, furniture, people.
- Umbrellas should never be left stored or collapsed for long periods while wet. Always ensure that the fabric is dry before storing or closing for long periods of time.
- Any early signs of mould or mildew **must** be removed as soon as it's discovered.
- Your umbrella's Fabric Canopy is removable and washable. See fabric cleaning instructions in the right column.
- Never clean any part of your umbrella with a corrosive or abrasive product or a high pressure hose.
- Never use waterproofing or cleaning sprays on your Fabric Canopy without seeking appropriate advice first.
- From time-to-time, inspect your umbrella and ensure all the accessible screws/bolts and other fixings remain tight. If they appear loose, tighten them with the supplied toolkit.

### Tips:

1. For commercial applications, contact us for our preventative maintenance guides.

## Fabric Cleaning Instructions

Shadowspec Fabric Canopies are manufactured from the most durable marine fabrics, threads and designs available. Shadowspec Fabric Canopies should be cleaned on a regular basis so dirt isn't able to build-up and become embedded in the fabric. You can clean your Fabric Canopy without removing it from the Frame if you prefer, or it's as easy to remove as it was to put on. Brush off any loose dirt and particles, hose it down and clean with lukewarm water and mild soap. Rinse again to remove all the soap before allowing the Fabric Canopy to air dry.

**Do not use heavy detergents.**

If you have found a stain that won't come off with our standard cleaning instructions, a '303' Fabric Cleaner is recommended. First, trial a small area of the fabric to ensure there is no discolouration or adverse effect. After cleaning it's important that you treat the fabric with a water repellency agent. We recommend that the '303' protectant is used to restore the repellency.

Note: When washing or cleaning, do not subject to excessive heat as the fabric will shrink. Do not steam press or dry in an electric or gas dryer. Always allow your Fabric Canopy to air dry. If you take the umbrella down for winter, take time to clean and air dry your Fabric Canopy before storing in a well ventilated area.

*For full manufacturers recommendations regarding care of our Canopy Fabrics, visit [www.recasens.com](http://www.recasens.com) for detailed care instructions.*



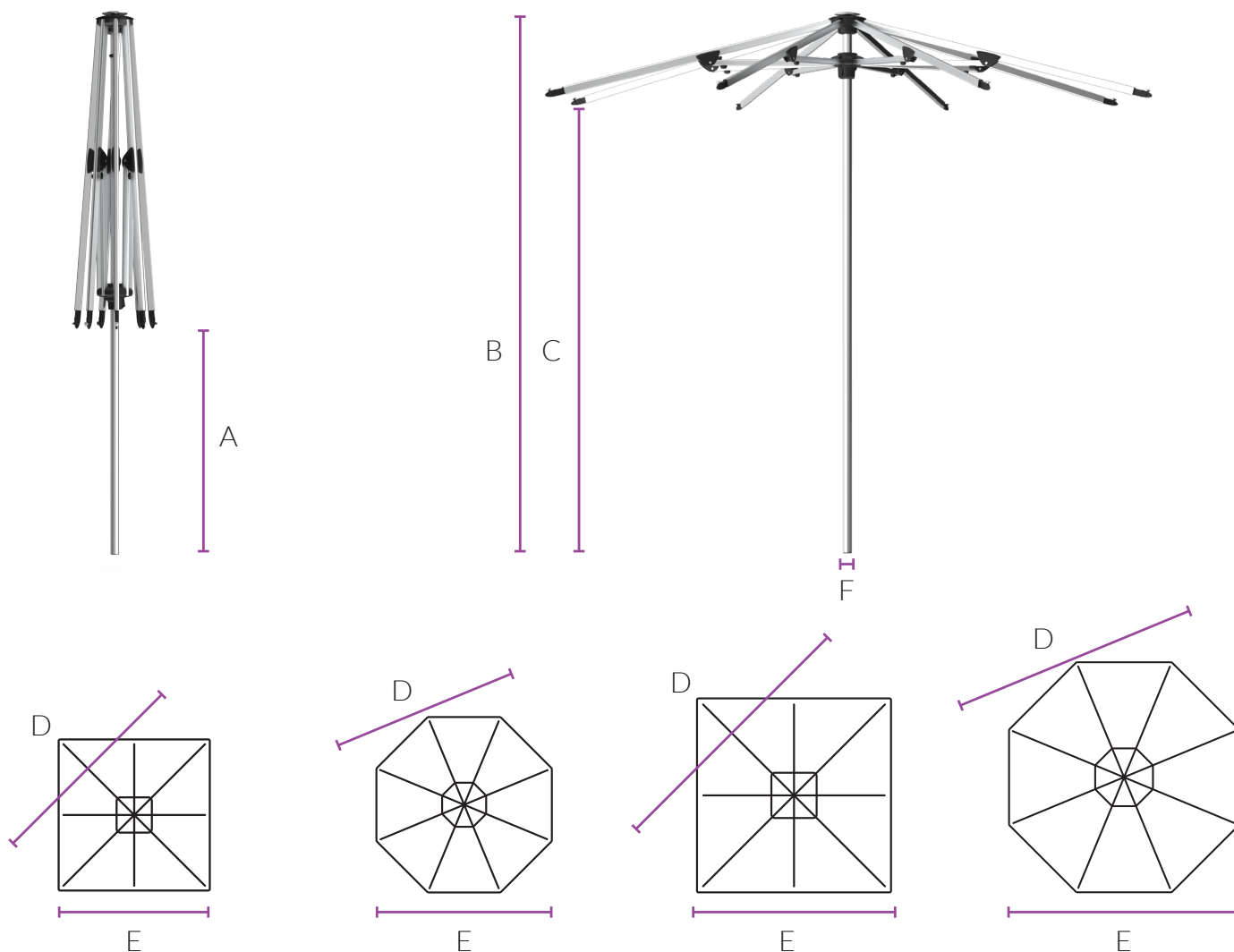
# Stage 1 - Key Dimensions of Your Shadowspec Oasis™

As the Shadowspec Oasis is available to you in a variety of sizes, care must be taken to check the sizing of your chosen umbrella in the following table.

## Key Measurement Notes:

Measurements A-C include 40mm of extra height due to the Flat Plate Base.

Figure A - Shadowspec Oasis Umbrella Dimensions



### Diagram Legend

	2.0m	7'	2.7m	9'	3.0m	10'	4.0m	13'
<b>A</b>	917mm	3'0"	986mm	3'3"	536mm	2'0"	633mm	2'1"
<b>B</b>	2375mm	7'9"	2364mm	7'9"	2713mm	8'11"	2681mm	8'9"
<b>C</b>	2000mm	6'7"	1984mm	6'6"	2135mm	7'0"	2116mm	6'11"
<b>D</b>	2858mm	9'5"	2500mm	8'2"	4260mm	13'11"	3702mm	12'2"
<b>E</b>	2023mm	6'8"	2700mm	8'10"	3025mm	9'11"	4000mm	13'1"
<b>F</b>	38mm	1 ½"	38mm	1 ½"	48mm	2"	48mm	2"

Note: All sizings and conversions are +/- 2.5mm / 2/32" and are subject to change without notice.

It is recommended for commercial installations that metric measurements are used for any umbrella spacing to ensure accuracy. All sizings and conversions are approximate and subject to change without notice. Refer to specsheets for exact, up-to-date measurements.

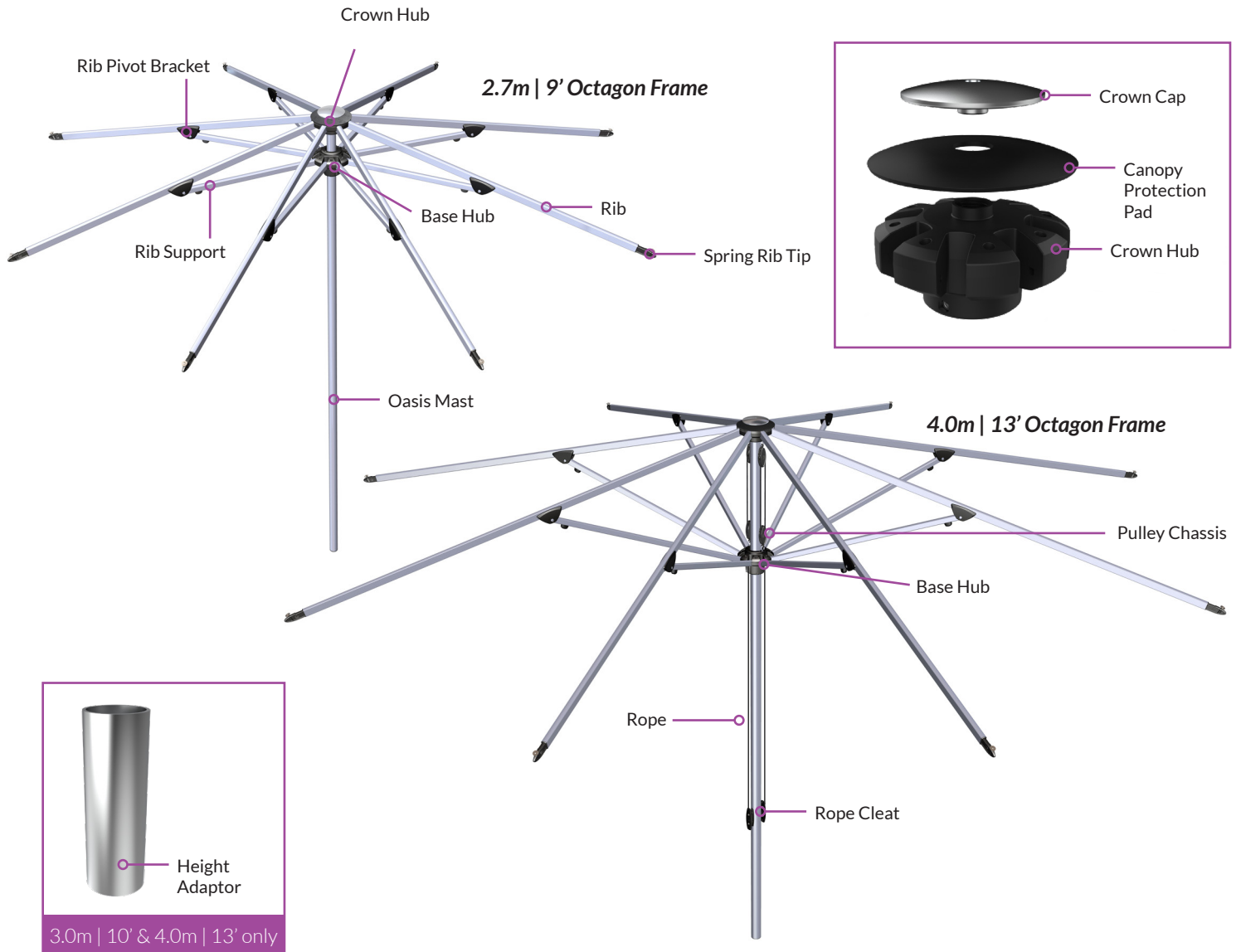


# Shadowspec Oasis™ Part Naming

When unpacking your Shadowspec Oasis™ please check you have all the correct parts pictured below before beginning assembly. If any parts are missing please contact [customer@shadowspec.com](mailto:customer@shadowspec.com) to resolve.

You will need to refer back to this page so why not earmark it for quick reference whilst you're assembling your umbrella.

Figure B - Frame Parts



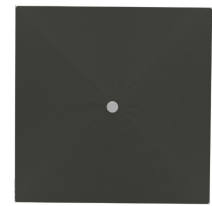
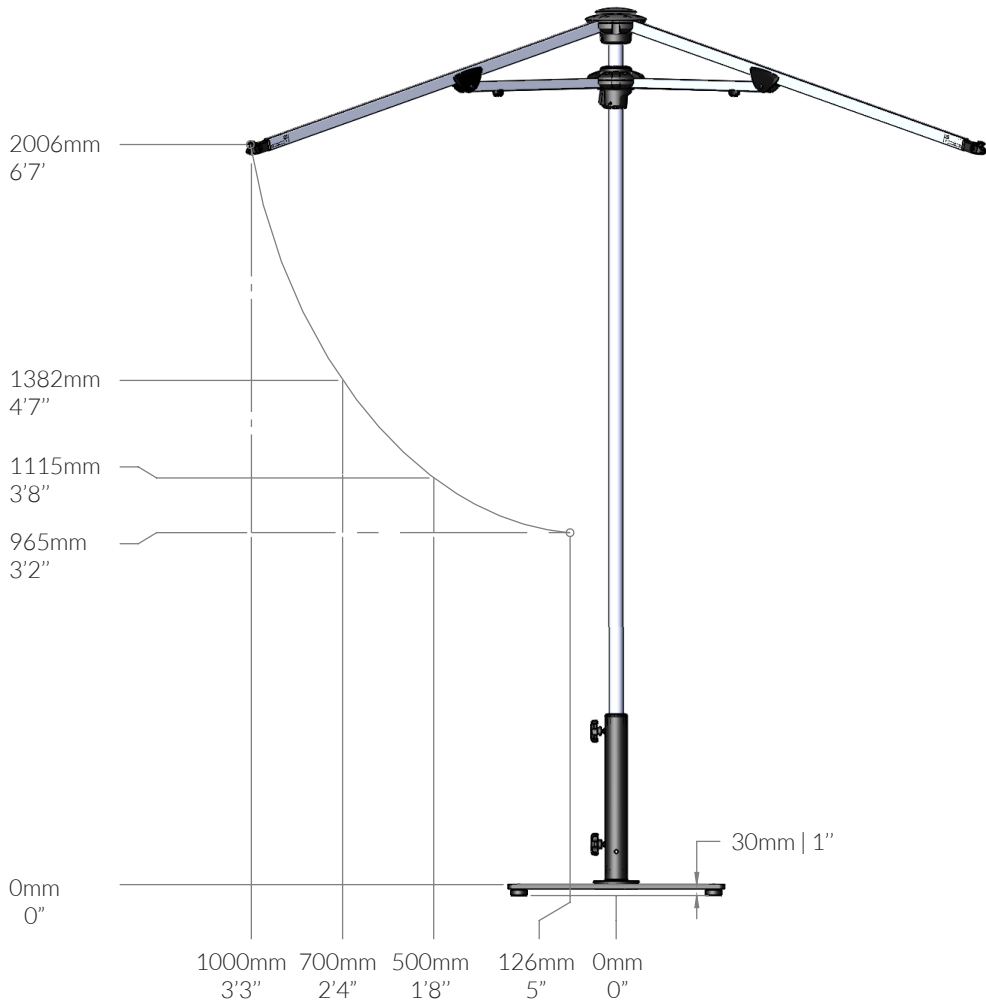
## Umbrella Location

### Planning your Umbrella Location.

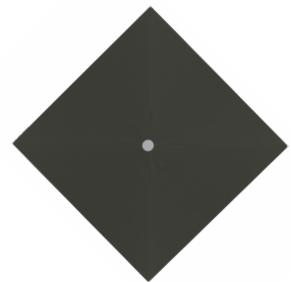
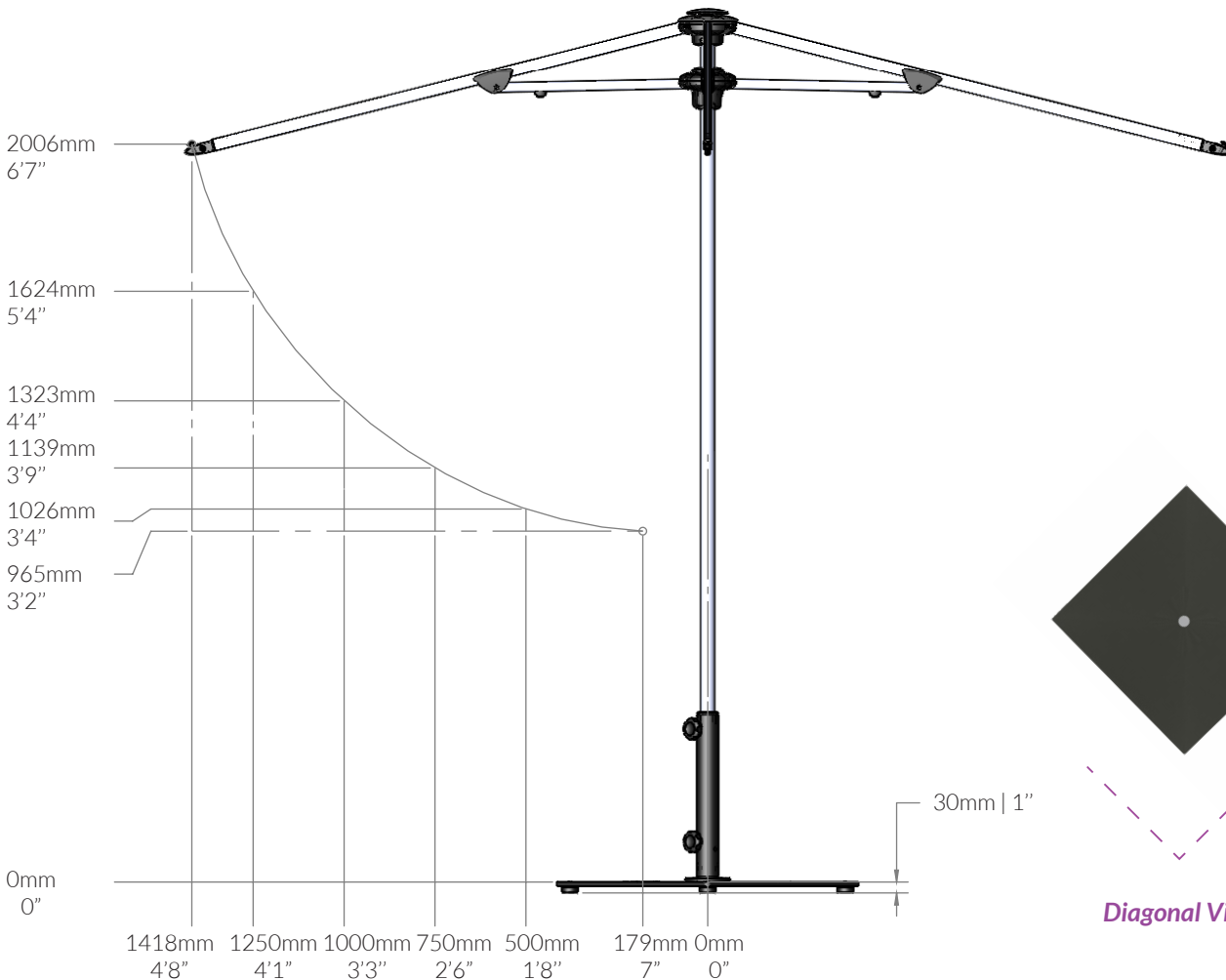
Special care is needed when selecting the best location for your umbrella(s). Some key points to keep in mind are:

1. Check that your chosen installation position will give you optimal coverage of the area you're looking to shade.
2. Consider the direction the sun travels during key months of the year. If unsure, we recommend downloading a free-to-use sun-tracker app to your smartphone.
3. Take care to double, or even, triple check your measurements.

Detailed and up-to-date measurements are available online at: [shadowspec.com/cad](https://shadowspec.com/cad)

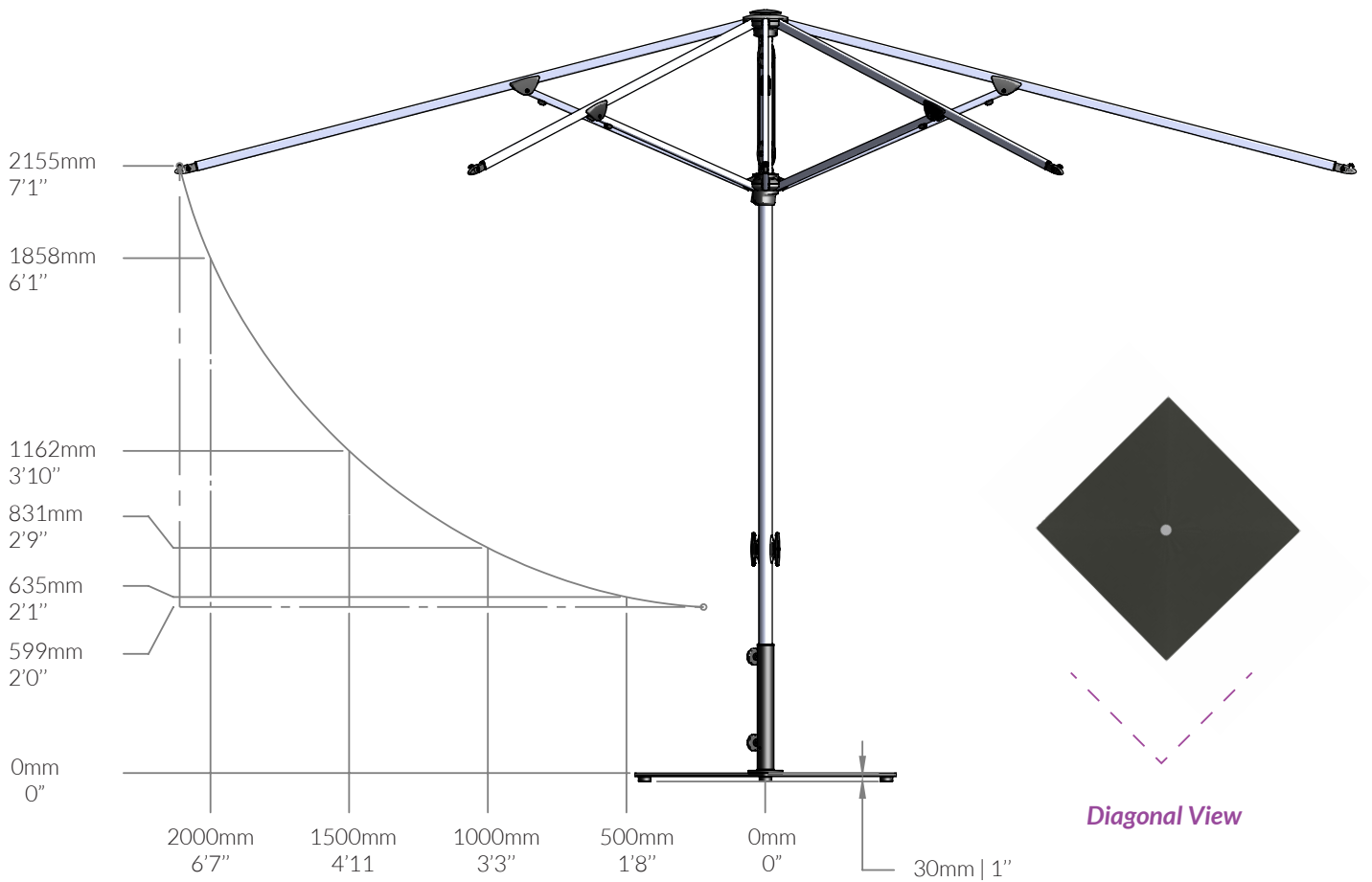


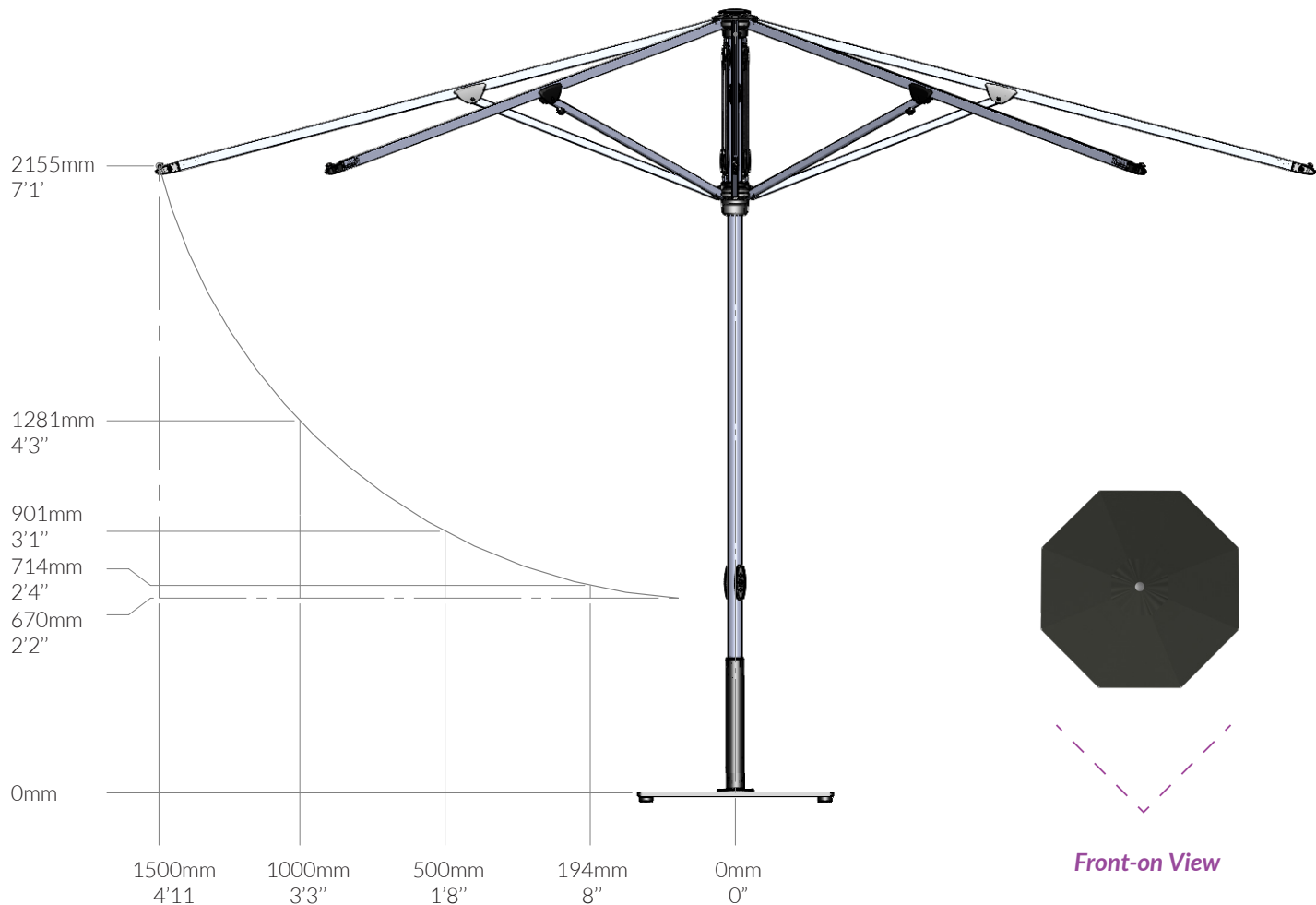
Front-on View



Diagonal View







# Stage 2 - Installation of your Umbrella Mount

## Option 1 - Spigot

### Spigot Assembly

The Spigot is used to install your Shadowspec Oasis™ on the Flat Plate Base and into concrete or on a deck.

Note: The Concrete Base does not require the spigot.

What is included:

- The Spigot
- 2x Star Knobs
- 4x Hex Screws
- 1x Hex Tool
- 1x Mast Adaptor
- 1x Height Adaptor *Note: this comes in the 3.0m | 10' & 4.0m | 13' Oasis Box*

**Step 1** Remove everything from the packaging.

**Step 2** If you have purchased a 2.0m | 7' or 2.7m | 9' insert the 38mm Mast Adaptor into the top of the Spigot.

*Note: If you have purchased the 3.0m | 10' or 4.0m | 13' model - skip this step.*

**Step 3** Step 3: Insert the Star Knobs into the holes and secure them with a couple of turns. *Figure C. ii*

*Note: You do not want to tighten the Star Knobs at this point, otherwise the Oasis won't fit in the Spigot.*

**Step 4** If you need to extend the height of your 3.0m | 10' or 4.0m | 13' umbrella, insert the Height Adaptor included with your Shadowspec Oasis into the spigot. This will allow the larger models to clear standard table top heights.

**Step 5**

Flat Plate Base

Go to Page: 12

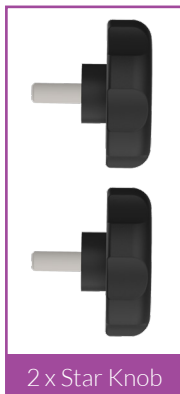
Spigot on Concrete

Go to Page: 14

Spigot on Deck

Go to Page: 16

### Spigot Parts







## Option 1A - Flat Plate Base

The Flat Plate Base is the most common option for the Shadowspec Oasis™

Note: If you are using your Shadowspec Oasis through a table you must use the Flat Plate Base for added support.

What is included:

- Hex Key
- 4x Rubber Feet
- 4x M8 x 16mm | 5/8" Screws
- Shadowspec Oasis Spigot
- Flat Plate
- Height Adaptor for Tables *Note: this is only for the 3.0m | 10' & 4.0m | 13' Shadowspec Oasis. See Page 3.*

- Step 1** With care, lay the Flat Plate upside down.
- Step 2** Screw the 4 Rubber Feet into the Corner Fixing Holes. *Figure D. i*
- Step 3** Flip the Flat Plate over.
- Step 4** Place the Spigot over the 4 Threaded Fixing Holes on the Flat Plate. *Figure D. ii*
- Step 5** Affix the Spigot with the supplied M8 x 16mm | 5/8" Screws and provided Hex Key. *Figure D. iii*
- Note: if using the Height Adaptor place this in now or go to Step 6.*
- Step 6** Insert your Shadowspec Oasis into the Spigot.
- Step 7** Tighten the two Star Knobs to secure the Shadowspec Oasis in place. *Figure D. iv*

### Spigot with Flat Plate Base Parts

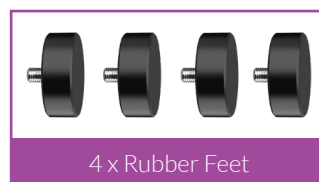
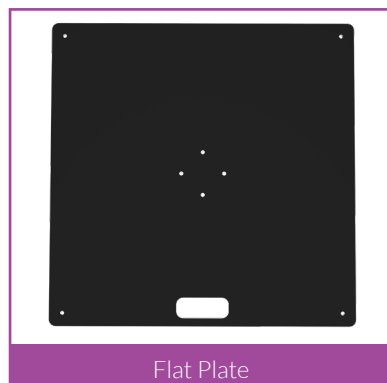
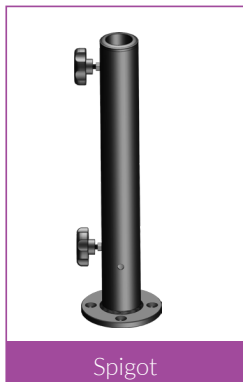
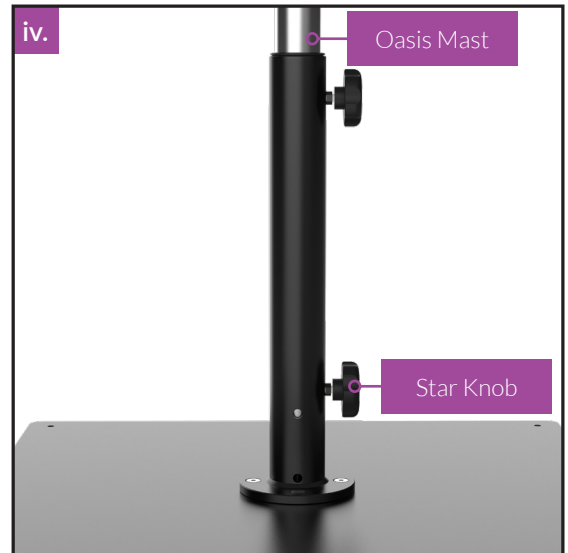
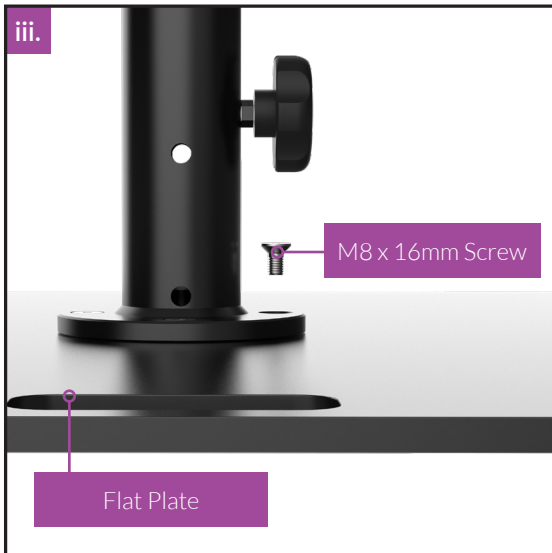
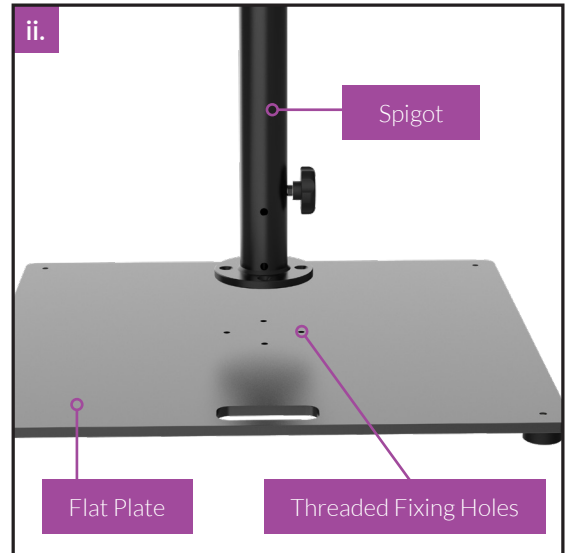
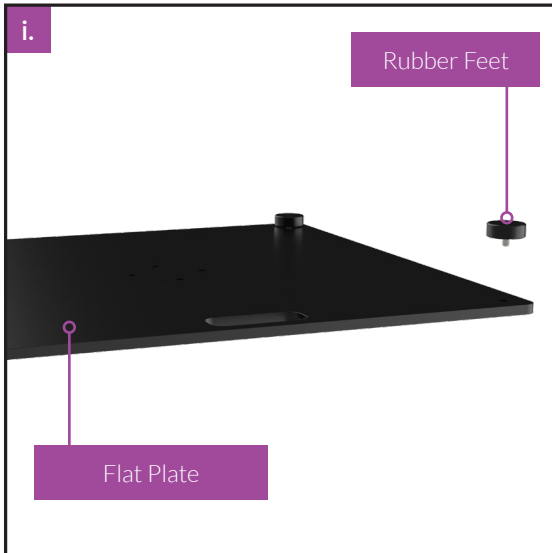


Figure D - Flat Plate Base Installation



## Option 1B - Spigot on Concrete

For installation of the Spigot onto Concrete you will require:

- Corrosion proof washers for leveling the Spigot – 316 Stainless Steel Bolts, Dyna Bolts and Washers are recommended.
- 4x Dyna-bolts or concrete screws, at least 100mm | 4" long – Not supplied. Visit your local fixing store.

**Step 1** Choose your site. It's important that the chosen site is clean, level and stable.

**Step 2** Place the Spigot in your chose location.

**Step 3** Mark the position of the bolt holes on the surface. This must be at least 150mm | 6" from the edge of the slab.

**Step 4** Drill pilot holes on the marks and check that the pilots are in the right place by laying the Spigot over the top of them.

**Step 5** When you are confident in the location, drill the full holes.

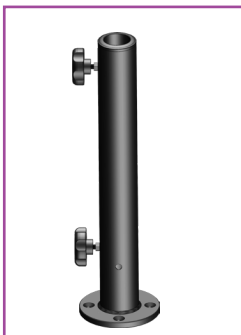
*Note: We recommend a minimum depth of 100mm / 4". See Figure E.*

**Step 6** Place washers under the Spigot to level it if necessary.

*Note: We recommend at least one layer of washers to allow water to escape, minimising water damage to the surface.*

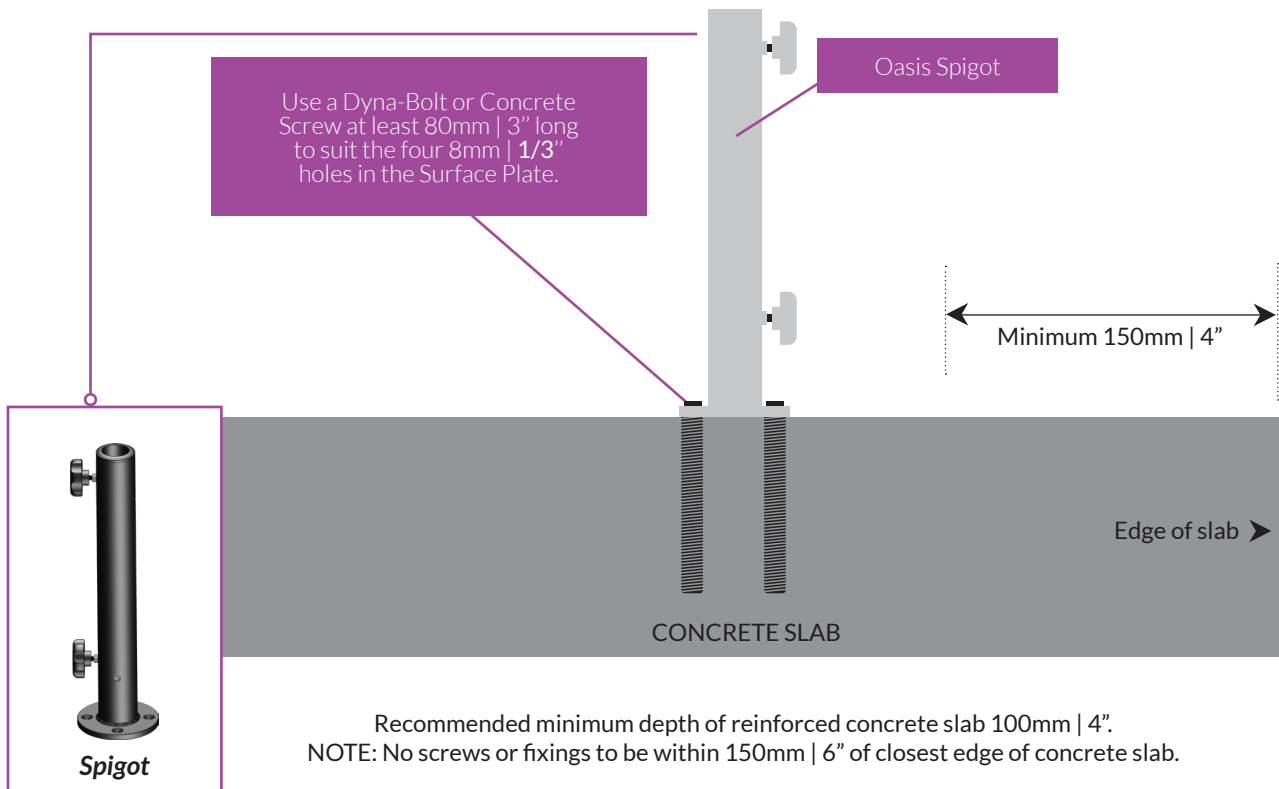
**Step 7** Use your bolts to secure the Spigot to the chosen location.

### Spigot Parts for Concrete Installation



Oasis Spigot

Figure E - Securing Spigot to Concrete Slab



## Option 1C - Spigot on Deck

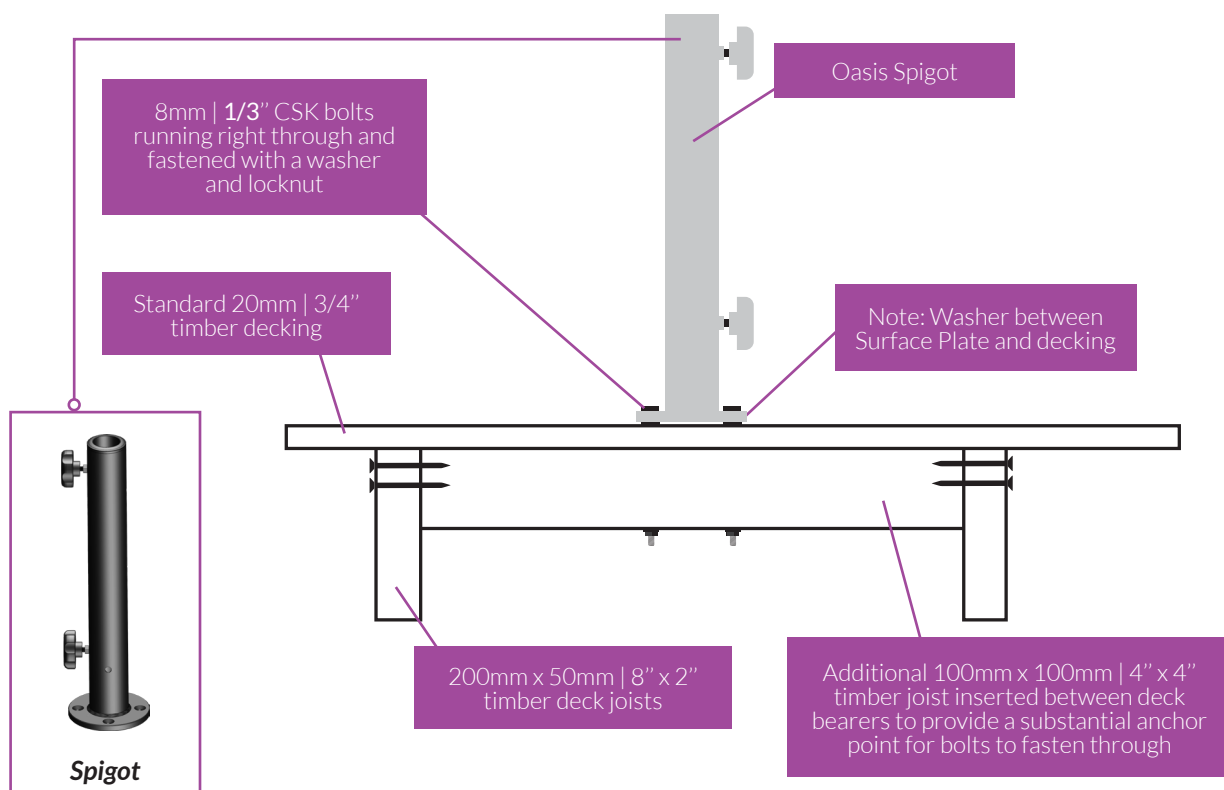
The following guide is designed for prebuilt decks. To ensure sufficient strength you should install additional nogs/joists in between the existing bearers on your deck.

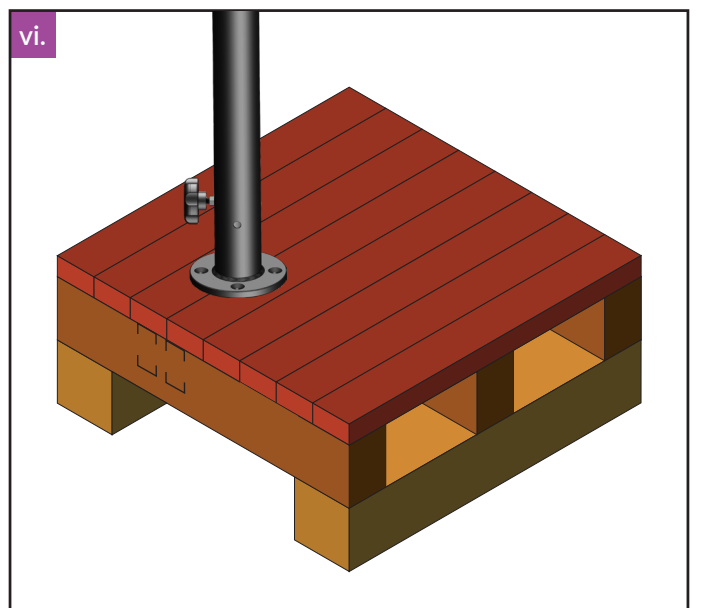
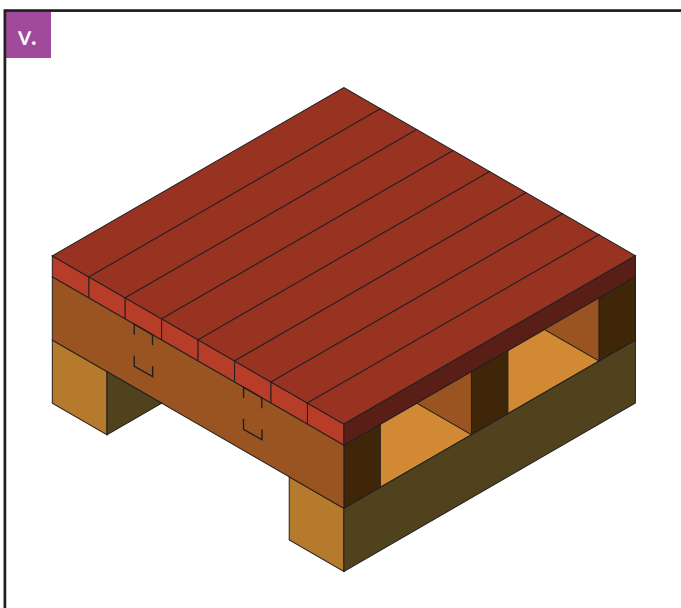
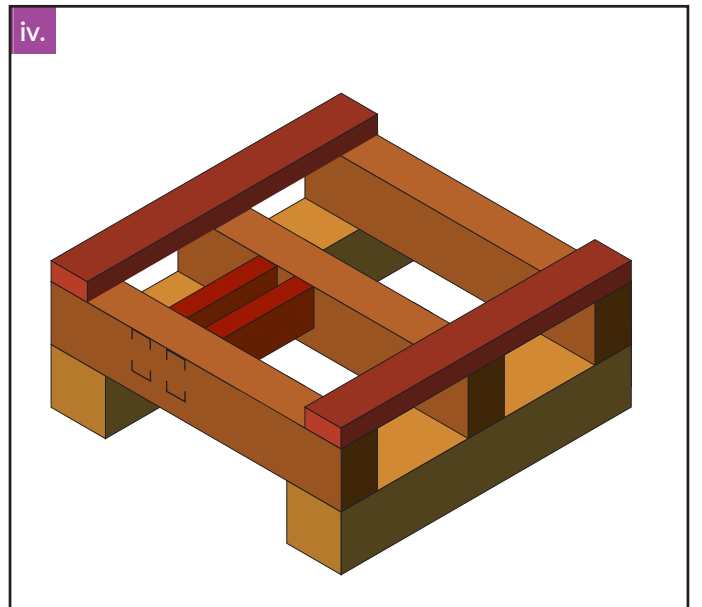
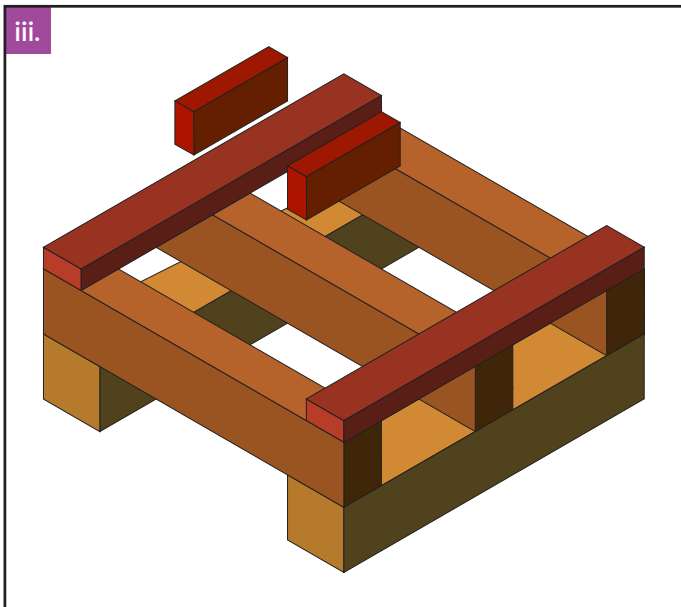
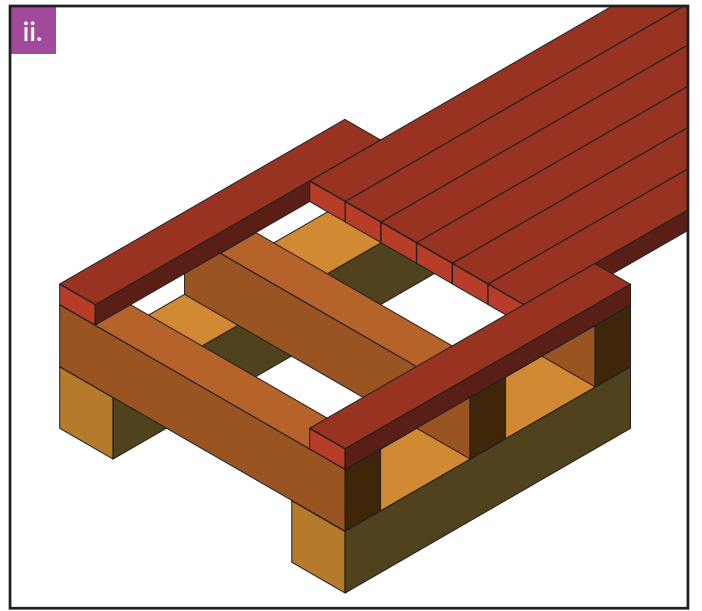
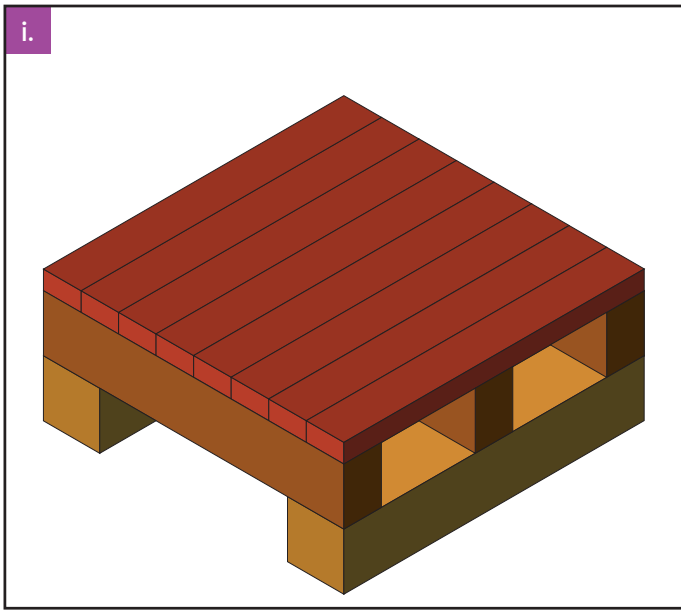
You will require the following:

- 4x 100mm x 100mm | 4" x 4" Timber Nogs/Joists
- Sufficient screws
- Electric screw driver / drill
- Replacement nails / screws
- 4 x 8mm | 3/8" CSK Bolts and matching Nuts (not supplied - length will depend on the thickness of the deck and bracing timbers you are fixing through).

- Step 1** Determine the installation location on your deck.
- Step 2** For access, remove enough decking to access at least 400mm | 1'4" of space for the next steps.
- Step 3** Ensure the additional timber nogs/joists are spaced with their center 270mm | 11" apart for the spigot to be screwed into.
- Step 4** Insert 100mm x 100mm | 4" x 4" timber nogs/joists between existing bearers.
- Step 5** Replace the timber decking. We recommend using screws to ease of future access.
- Step 6** Install your spigot as per [page 16](#) and [Figure F](#).

Figure F - Securing Spigot to Wooden Deck





## Option 2 - Concrete Base

### Concrete Base Assembly

The Concrete Base is another base option for the Shadowspec Oasis™ that features wheels for easy maneuverability.

Note: The Concrete Base does not require the spigot - it has it's own.

What is included:

- The Concrete Base Spigot
- 1x Star Knob
- 1x Mast Adaptor
- 1x Concrete Base

**Step 1** Remove everything from the packaging.

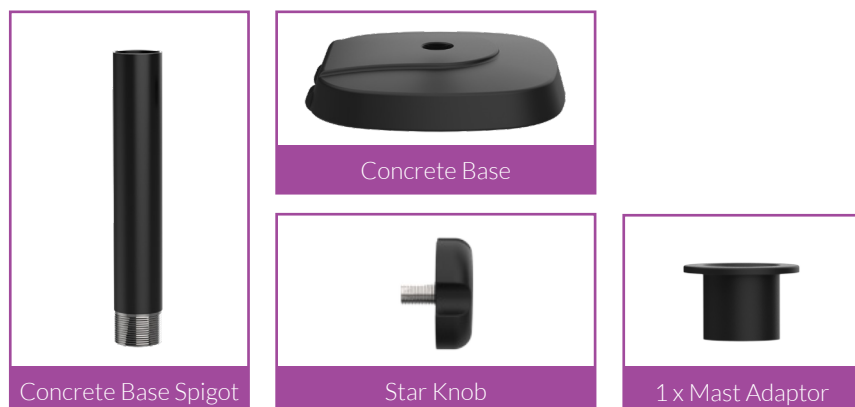
**Step 2** Screw the Spigot into the Concrete Base. *Figure G. i*

**Step 3** Insert the Star Knobs into the holes and secure them with a couple of turns. *Figure G. ii*

*Note: You do not want to tighten the Star Knobs at this point, otherwise the Shadowspec Oasis won't fit in the Spigot.*

**Step 4** Insert Mast Adaptor. *Figure G. iii*

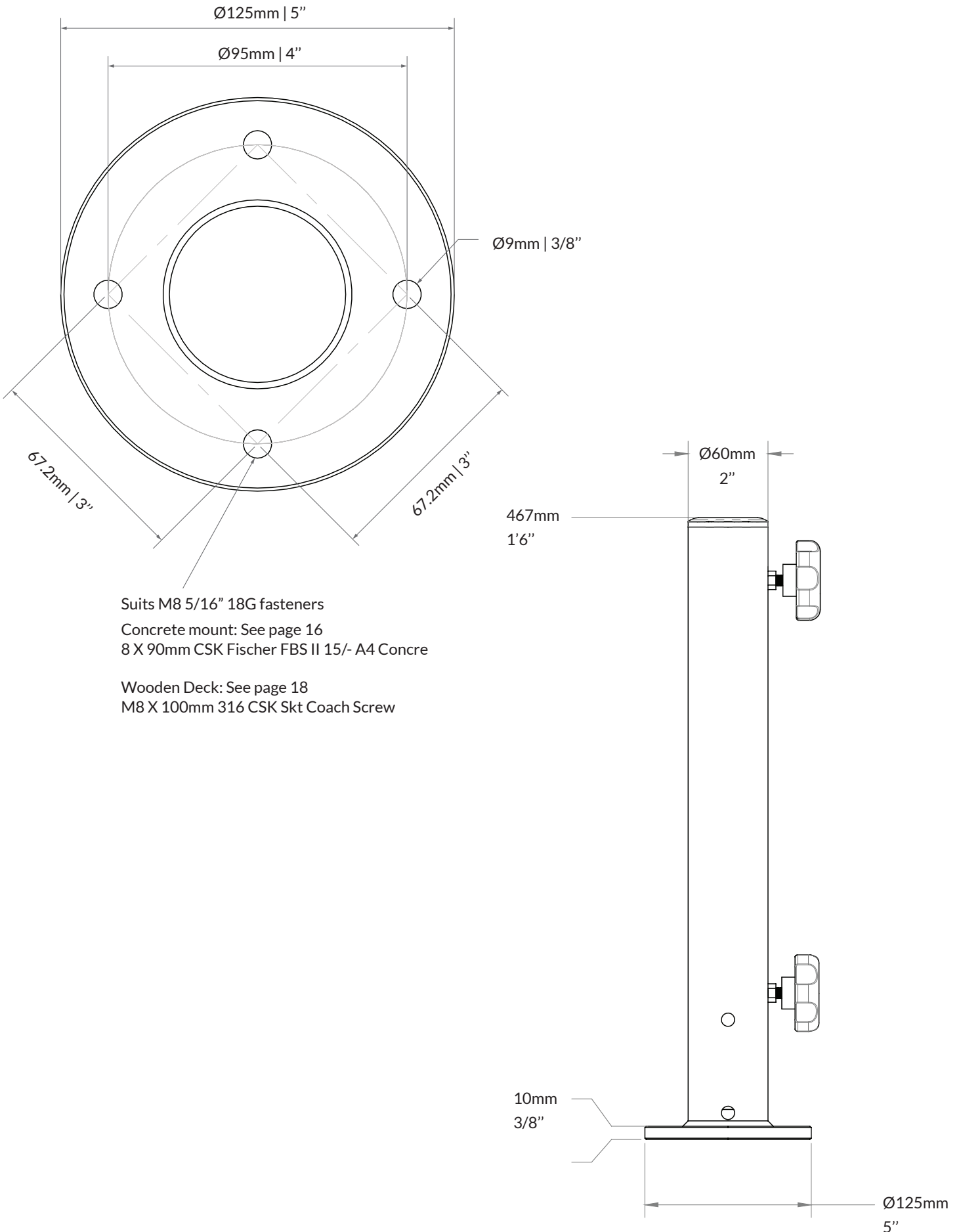
### Concrete Base Parts

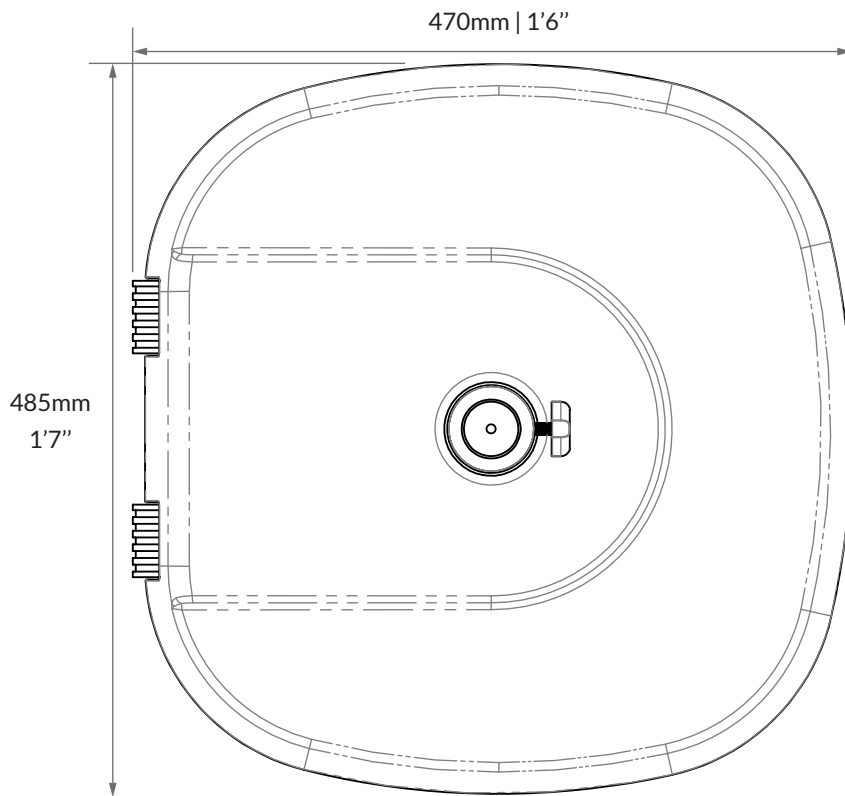
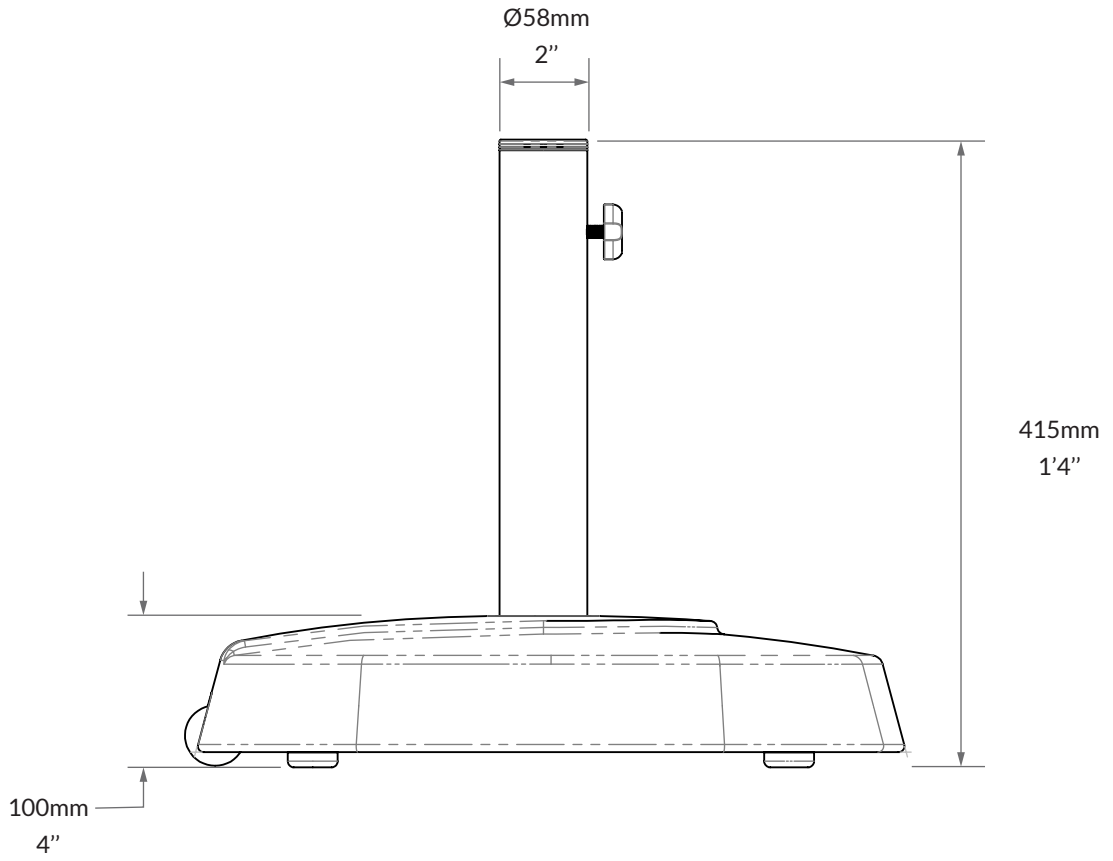


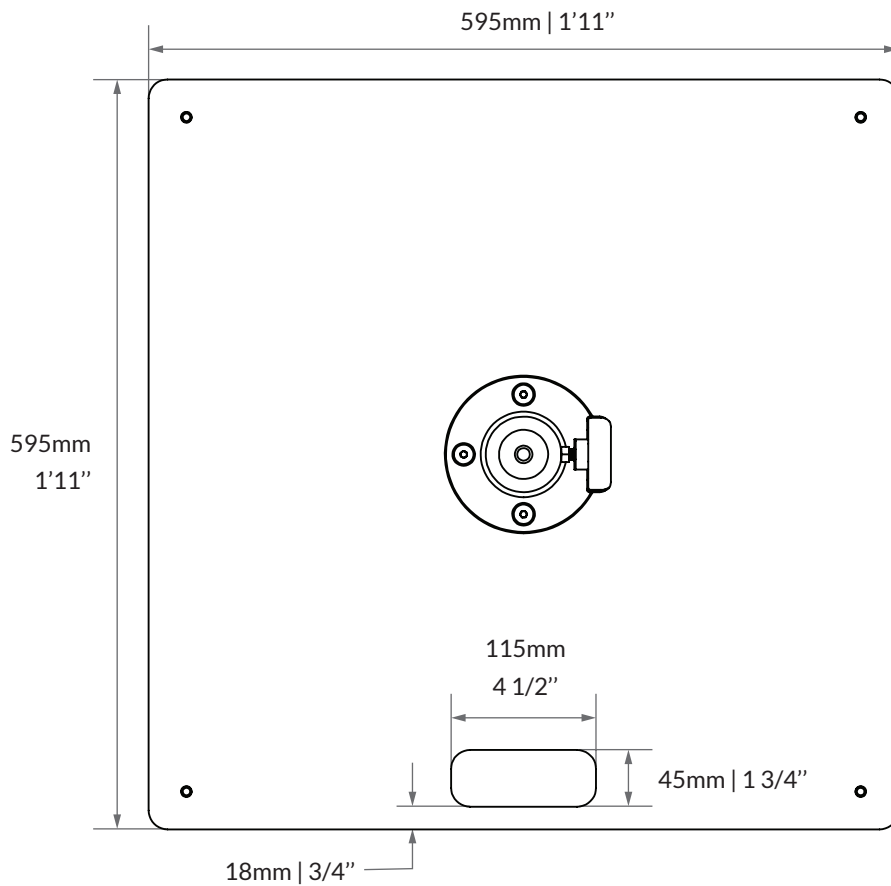
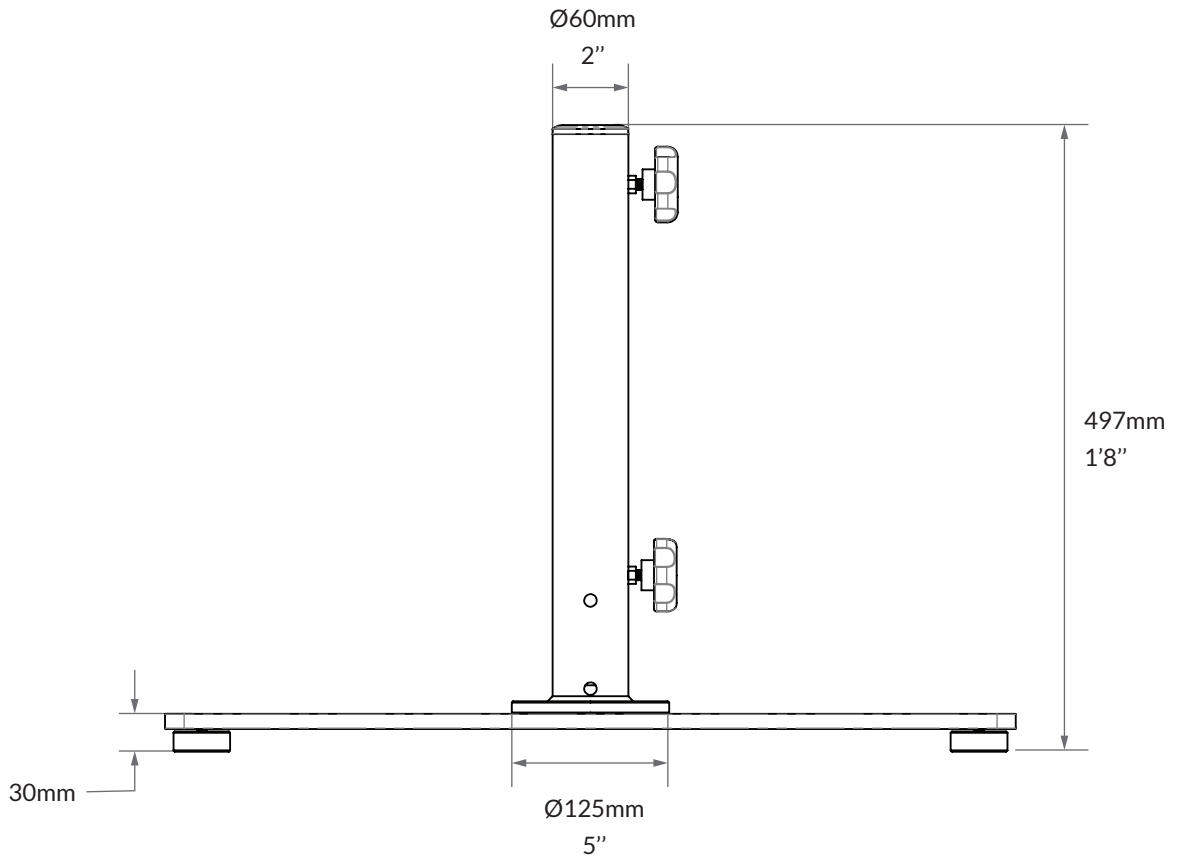


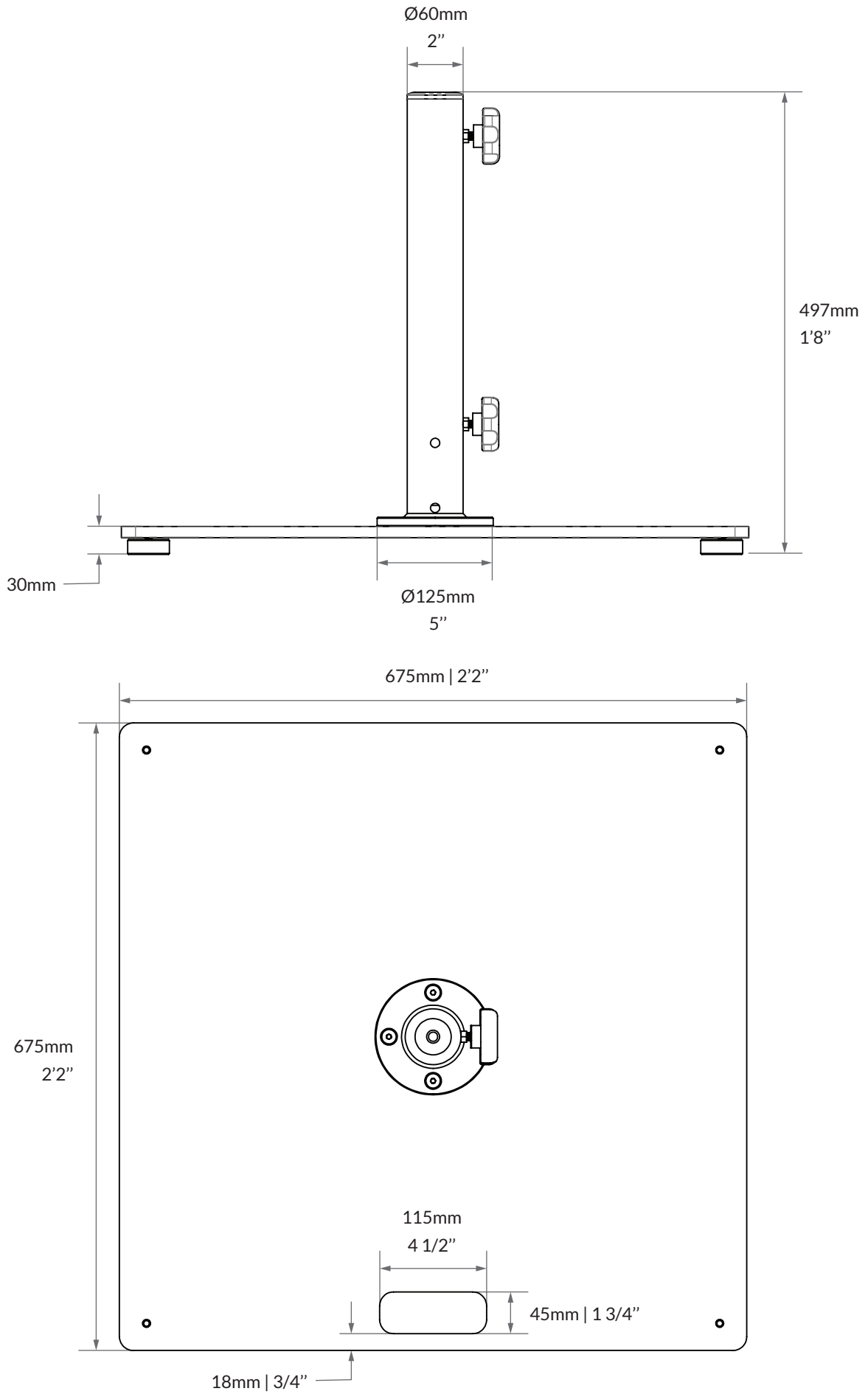


## Spigot - Spec Sizing









### ASSEMBLING YOUR UMBRELLA

The Shadowspec Oasis frame will arrive to you assembled, which is great. Remove the Oasis from your box and it's packaging, then make sure to place it somewhere safe. This will ensure your Oasis won't get scuffed or scratched - we recommend using the box your Oasis came in.

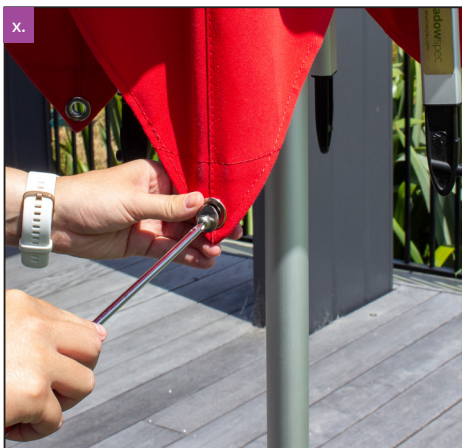
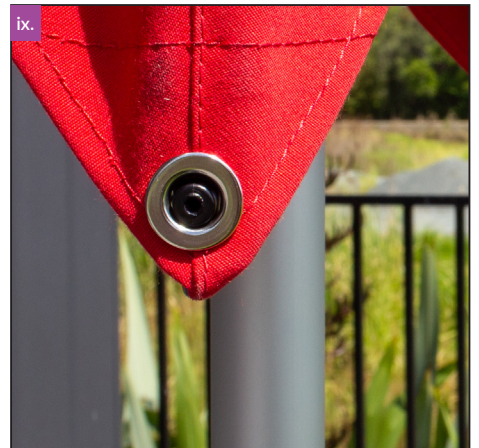
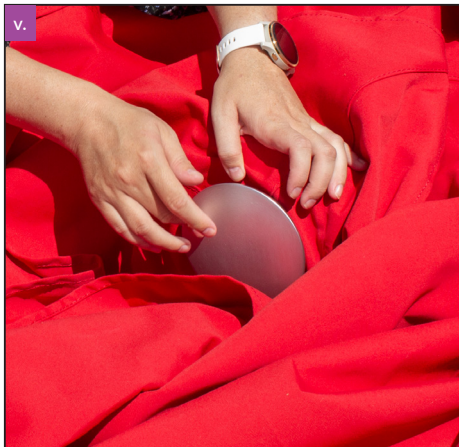
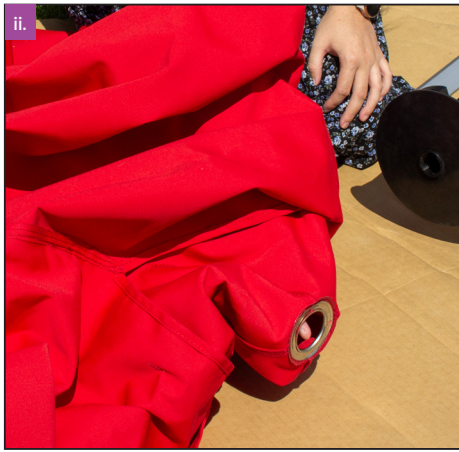
You will require:

- Your Shadowspec Oasis Frame
- Your Shadowspec Oasis Canopy
- Phillips Head Screwdriver
- The 8 Supplied Canopy Screws
- The Supplied Crown Cap
- The Supplied Canopy Strap

**NOTE: Remember to install the Spigot on your chosen mounting option before proceeding. Please refer to pages 12 - 21 for base installation instructions.**

- Step 1** Remove your Shadowspec Oasis the Canopy and Canopy Strap from the packaging, including all the protective wrapping.
- Step 2** Unpack the Canopy Screws and supplied Crown Cap from their packaging – place them somewhere safe, you'll need them soon.
- Step 3** Unfold your Oasis Canopy and locate the Peak Ring in the centre of the Canopy. *Figure H. i*
- Step 4** While holding the Peak Ring, move the edge of the Canopy up and over the frame and place the Peak Ring over the Crown Hub. *Figure H. ii-iii*
- Note: Ensure the Canopy Protection Pad does not shift or get removed from the top of the Crown Hub. *Figure H. iv*
- Step 5** Secure the Canopy to the Crown Hub by screwing the Crown Cap into the Crown Hub by turning it clockwise. *Figure H. v*
- Step 6** Place your Shadowspec Oasis into your chosen base option. *Figure H. vi-viii*
- Step 7** Spread the Canopy over the Frame.
- Step 8** Line up the Canopy Eyelets with the Spring Rib Tips at the end of each Rib. *Figure H. ix*
- Step 9** Using your Phillips Head Screwdriver, and the supplied screws secure each Eyelet on the Canopy to the corresponding Spring Rib Tip. *Figure H. x*
- Note: The 2.0m | 7' Shadowspec Oasis will only require 4 Canopy Screws. The 2.7m | 9', 3.0m | 10' & 4.0m | 13' model screws are in the Canopy Packaging, there are 8 of them.*
- Step 10** Secure the Canopy with the supplied Canopy Strap. *Figure H. xii*
- Step 11** Enjoy the shade.





Note these operation instructions are relevant to the 2.0m | 7' & 2.7m | 9' Versions of the Shadowspec Oasis.

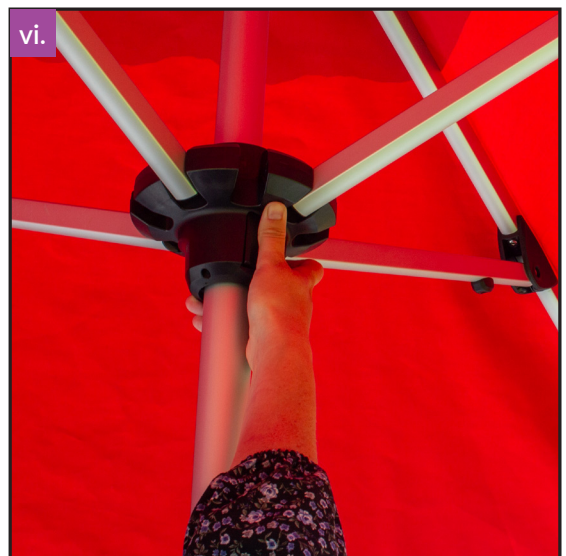
### Umbrella Deployment

- Step 1** Remove the provided Canopy Strap. *Store it somewhere you will remember. Figure I. i*
- Step 2** Pull the Ribs out from the Mast to start the process. *Figure I. ii*
- Step 3** Locate the Base Hub and with your hand, push the Base Hub up the Mast. It's just like a handheld umbrella. *Figure I. iii-iv*
- Step 4** The Base Hub will Pop into place, and you'll hear a 'Click' when the Oasis is locked open. *Figure I. vi*

### Umbrella Retraction

- Step 1** Press the Push Trigger on the Base Hub in. *Figure I. vi*
- Step 2** Pull Down the Base Hub. It will settle into position down the Mast. *Figure I. iv*  
*Note: Take care of the Ribs as the descend.*
- Step 3** Attach the Canopy Strap that you stored somewhere safe.





Note these operation instructions are relevant to the 3.0m | 10' and 4.0m | 13' versions of the Shadowspec Oasis.

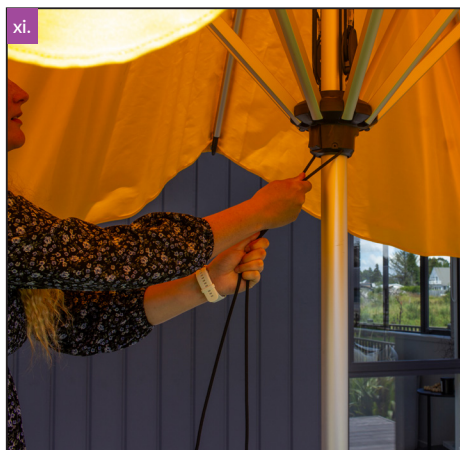
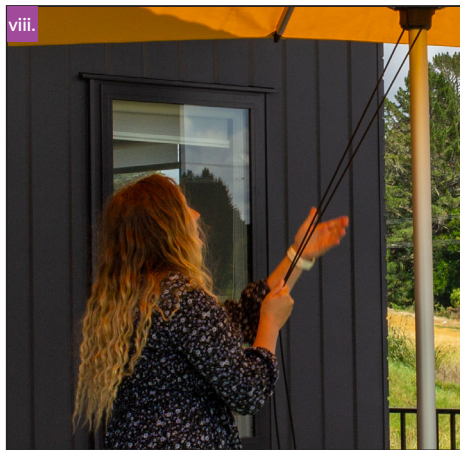
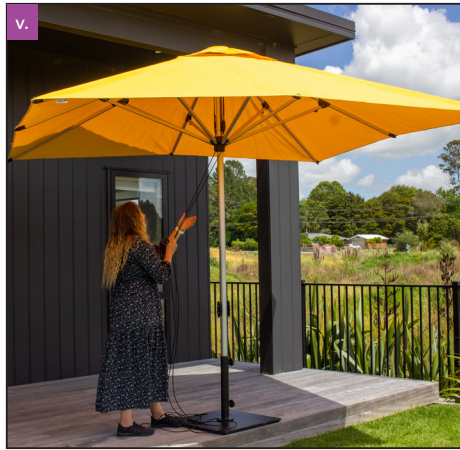
### Umbrella Deployment

- Step 1** Remove the provided Canopy Strap. *Store it somewhere you will remember. Figure J. i*
- Step 2** Pull the Ribs out from the Mast to ensure there's no pinched parts. *Figure J. ii*
- Step 3** Pull down both cords of the rope loop and the Base Hub will slide up the Mast. *Figure J. iii-iv*
- Step 4** When the Base Hub reaches the top of the mast it will 'Click' into place. *Figure J. v*
- Step 5** With care, wrap the excess cord around the two Rope Cleats in a figure eight pattern. *Figure J. vii*

### Umbrella Retraction

- Step 1** Unwrap the excess cord from around the two Rope Cleats. *Figure J. vii*
- Step 2** With care, pull down on the Rope to apply tension this prevents the Shadowspec Oasis from dropping. *Figure J. viii*
- Step 3** Press the Push Trigger and with care, release the Rope to lower the canopy. *Figure J. ix*
  - Tip:** Take care as the Ribs descend. *Figure J. x*
- Step 4** Secure the Canopy with the Canopy Strap. *Figure J. xii*







# shadowspec

umbrellas with distinction

**Contact our in-house shade and outdoor specialists  
for more information and advice.**

## **AUSTRALIA**

Australian Nest  
Keysborough, Victoria

**1800 144 155**

[www.shadowspec.com.au](http://www.shadowspec.com.au)

## **NEW ZEALAND**

Heron Base  
Whangarei, Northland

**0800 144 155**

[www.shadowspec.co.nz](http://www.shadowspec.co.nz)

## **UNITED STATES**

North American Nest  
Houston, Texas

**844 888 5577**

[www.shadowspec.com](http://www.shadowspec.com)